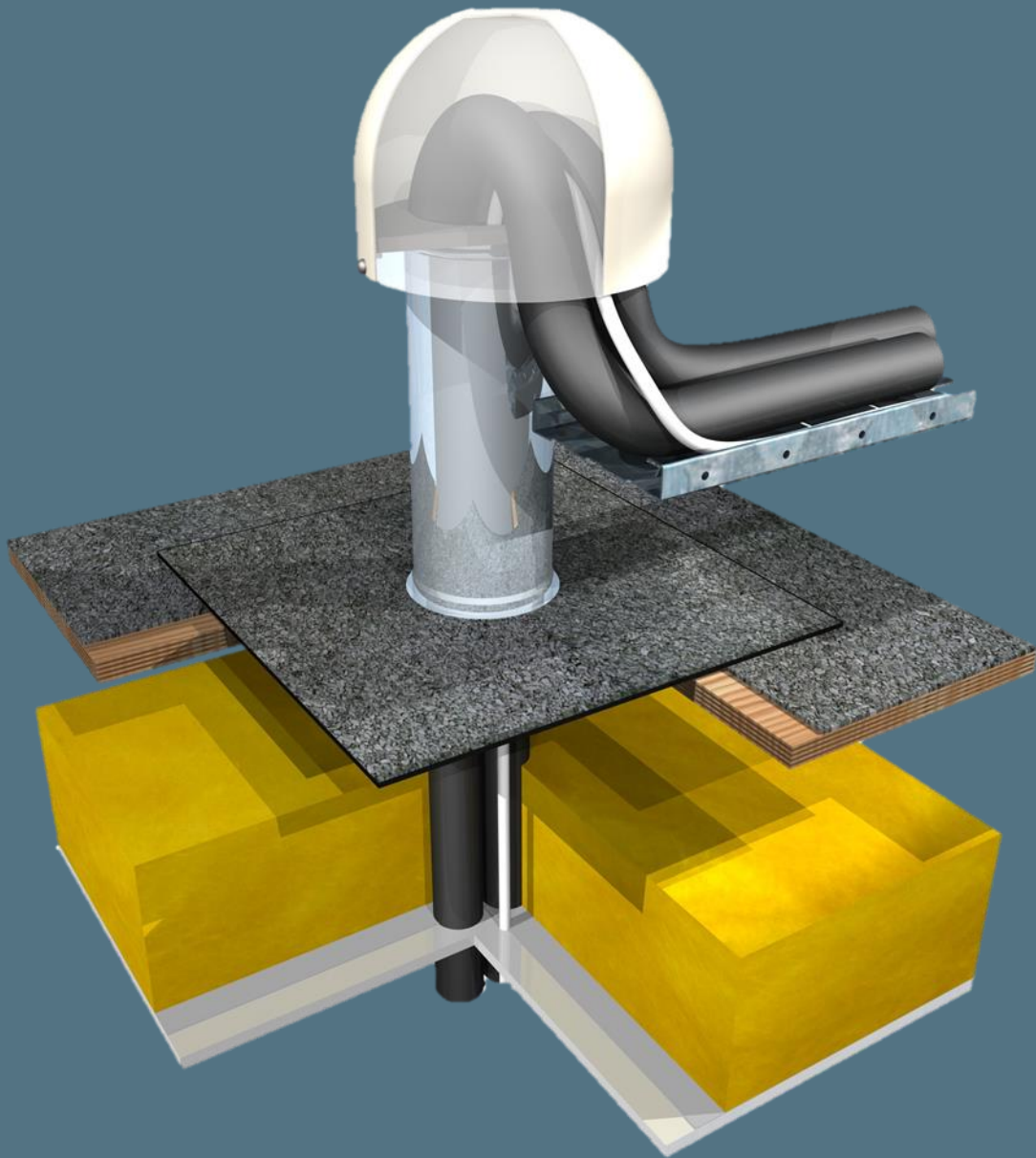


ROOFPORT™

roof penetration fittings



How to order

For assistance with product selection for your particular requirement, please contact our sales and technical team on **0845 0098 980**

Opening Hours

- Monday to Friday 7:00 - 17:00

Orders may be placed via

- Telephone** 0845 0098 980
- Email** sales@nicholsonsts.com

Payment may be made via

- BACS** - our preferred payment method
- Card** - most major credit and debit cards accepted.
- Credit account** - Please note that unless a credit application has been approved, payment will be required before despatch

Availability is indicated by each product

- Ex-stock products will normally be despatched the same day for orders received before 12:00

Delivery Options

- Next Day Delivery** **Free**
for order values of ex-stock products over £750.00 + VAT, Next Day delivery is FOC*
- Next Day Delivery** **£15.00 + VAT**
for order values under £750.00 + VAT
- Next Day am Delivery** **£20.00 + VAT**
- Collection** - collections may be made by prior appointment only. All goods must be paid for in advance of any collection.

* Quoted delivery rates exclude Offshore Islands, Highlands, NI & ROI which are all POA.

Returns Policy

We expect our products to meet your expectations and will take all reasonable steps to ensure this is so. However, if for any reason you wish to return products to us we will normally be able to arrange collection and restock them subject to a handling charge of 20%. Please visit our website www.nicholsonsts.com for our full Returns Policy.

Terms and Conditions

All transactions are subject to Trading Terms and Conditions. A copy of these may be found on our [website](http://www.nicholsonsts.com)

Directory Index

Product Range	Code	Description	Page
ROOFPORT roof penetration fittings	RP50	50mm Ø Roof Penetration	3
	RP110	110mm Ø Roof Penetration	4
	RP150	150mm Roof Penetration	5

Key features

- Removable cowl for easy access
- 45mm Ø ID capacity
- Stainless steel upstand
- Factory sealed joint to flange
- Three different flange types

Compatibility

Roof construction type	
Warm roof	✓
Cold roof	✓
Inverted roof	✗
Roof covering type	
Single ply	✓
SBS/APP	✓
GRP	✓
Hot melt	✓
Liquid applied	✓
Membrane composite	✓
Hard metal	✗
Trapezoidal	✗
Aluminium	✗
Retrofit	
Retrofit to existing roof	✓
Retrofit to existing cables	✗

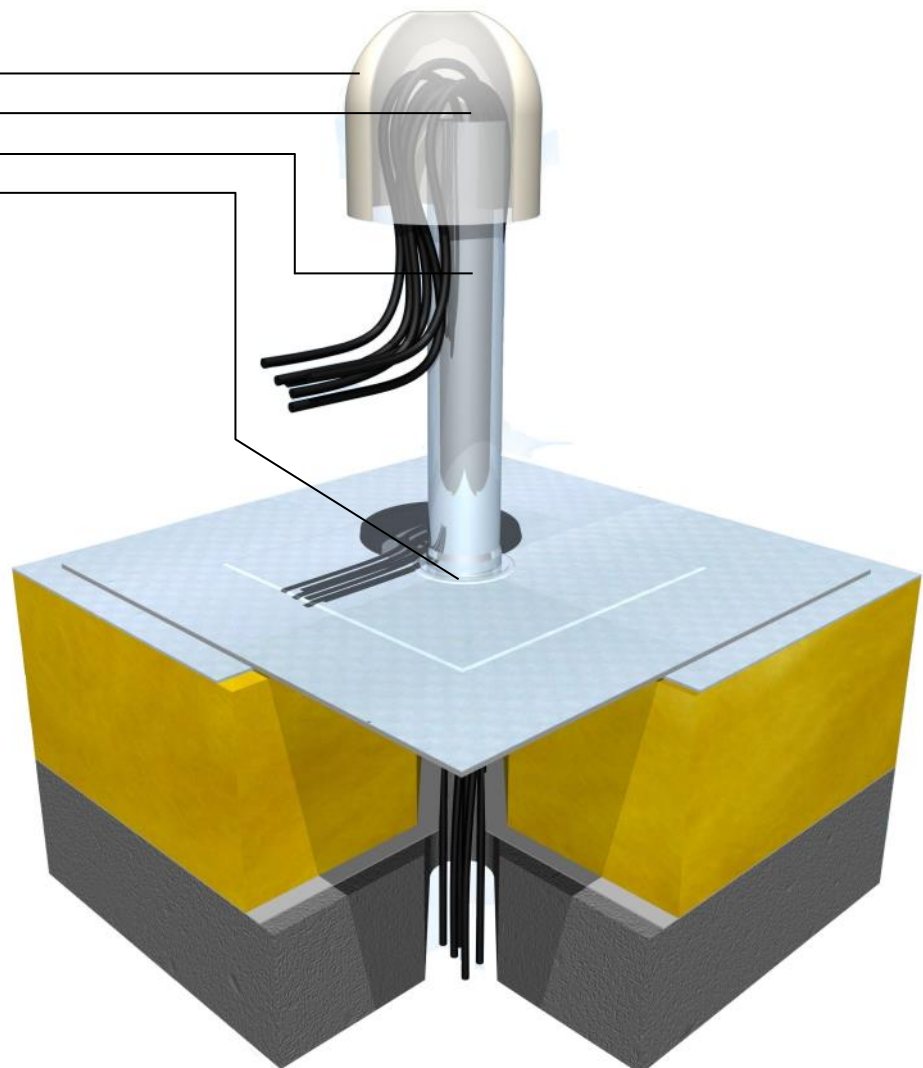
Availability

Normally ex stock

Code	Price
RP50SS	£55.77 + VAT
RP50SBS	£64.67 + VAT
RP50SP	£70.18 + VAT

Critical Dimensions

OA height	361mm
Cowl dia	120mm Ø
Clear ID	45mm Ø
Upstand	295mm



RP50 Roof Penetration 50mm

Description

A 50mm diameter ready made roof penetration fitting providing a neat and versatile solution for smaller cabling passing through the roof. The powder coated hood is completely removable allowing easy installation of cabling subsequent to being fitted.

Use for

PV cabling for solar panels
Lightning conductors
Small diameter cables
IT cabling

Options and order codes

RP50SS

Supplied with fixing plate for liquid roofing

RP50SBS

Supplied with SBS underlay flange

RP50SP

Supplied with generic PVC single ply* (*specify light or dark grey PVC)

Further information

For data sheets and DWG files, please contact Nicholson on the number below.

To specify

Nicholson Roofport RP50 with _____ flange type supplied by Nicholson.

p: 0845 0098 980

e: nfo@nicholsonsts.com

Key features

- Removable cowl for easy access
- 105mm Ø ID capacity
- Stainless steel upstand
- Factory sealed joint to flange
- Three different flange types

Compatibility

Roof construction type	
Warm roof	✓
Cold roof	✓
Inverted roof	✗
Roof covering type	
Single ply	✓
SBS/APP	✓
GRP	✓
Hot melt	✓
Liquid applied	✓
Membrane composite	✓
Hard metal	✗
Trapezoidal	✗
Aluminium	✗
Retrofit	
Retrofit to existing roof	✓
Retrofit to existing cables	✗

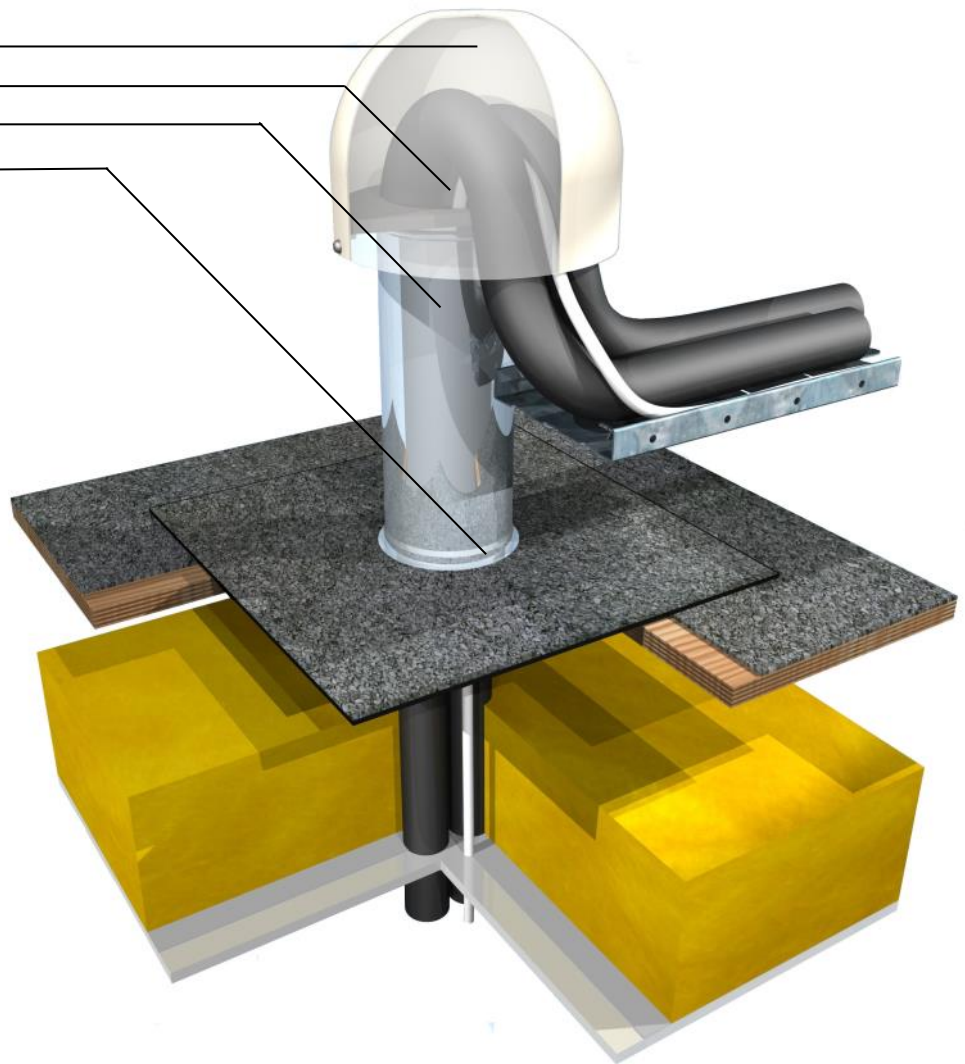
Availability

Normally ex stock

Code	Price
RP110SS	£75.91 + VAT
RP110SBS	£84.71 + VAT
RP110SP	£93.90 + VAT

Critical Dimensions

OA height	432mm
Cowl dia	215mm Ø
Clear ID	105mm Ø
Upstand	272mm



RP110 Roof Penetration 110mm

Description

A 110mm diameter ready made roof penetration fitting providing a neat and versatile solution for smaller cabling passing through the roof. The powder coated hood is completely removable allowing easy installation of cabling subsequent to being fitted.

Use for

- Feeds for thermal solar panels
- Electrical cables
- Air/con feeds for split units
- IT cabling
- Armoured cables
- Multiple cabling

Options and order codes

RP110SS

Supplied with stainless fixing plate for liquid roofing

RP110SBS

Supplied with SBS underlay flange

RP110SP

Supplied with generic PVC single ply* (*specify light or dark grey PVC)

Further information

For data sheets and DWG files, please contact Nicholson on the number below.

To specify

Nicholson Roofport RP110 with _____ flange type supplied by Nicholson

p: 0845 0098 980

e: nfo@nicholsonsts.com

Key features

- Removable hood for ease of installing services
- 150mm x 150mm internal size
- 400mm upstand available for inverted roofs
- Split base can be fitted to existing services
- Use with all membrane and liquid roof coverings

Compatibility

Roof construction type	
Warm roof	✓
Cold roof	✓
Inverted roof	✓
Roof covering type	
Single ply	✓
SBS/APP	✓
GRP	✓
Hot melt	✓
Liquid applied	✓
Membrane composite	✓
Hard metal	✗
Trapezoidal	✗
Aluminium	✗
Retrofit	
Retrofit to existing roof	✓
Retrofit to existing cables	✓

Availability

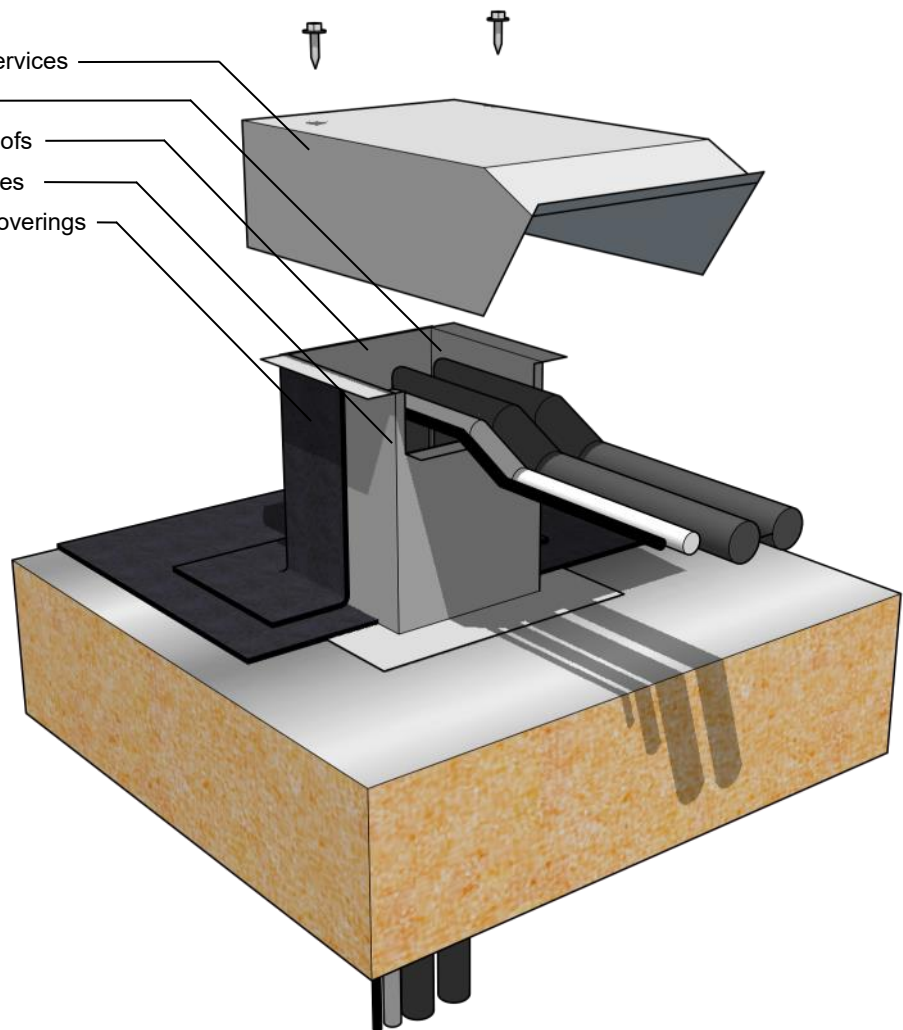
Normally ex stock

Code	Price
------	-------

RP150	£76.00 + VAT
RP150-4	£88.71 + VAT

Critical Dimensions RP150

OA height RP150	205mm
OA height RP150-4	455mm
OA width	210mm Ø
OA length	350mm Ø
Service opening	150mm x 50mm



RP150 Roof Penetration 150mm

Description

A versatile 150mm x 150mm roof penetration fitting constructed from sturdy aluminium suitable for all membrane and liquid roof coverings. The RP150 comes in two standard sizes with differing upstand heights for use on all roof constructions including inverted roofing.

Retrofit

The RP150 has a split base and can be fitted around existing services making it ideal for over-roofing and refurbishment projects as well as new roofing.

Use for

Cabling for solar thermal
PV installations
Lightning conductors
General cabling and air con services
IT cabling

Options and order codes

RP150
With 150mm high upstand

RP150-4
With 400mm high upstand

Further information

For data sheets and DWG files, please contact Nicholson on the number below.

To specify

Nicholson Roofport RP150 for standard/ inverted roof supplied by Nicholson.

p: 0845 0098 980
e: info@nicholsonsts.com



Unit 13, Wireless Station Park, Chestnut Lane, Bassingbourn, SG8 5JH

t: 0845 0098 980

f: 0845 6588 980

e: info@nicholsonsts.com

w: www.nicholsonsts.com