

Fitting Instructions for using IFP–Toggle Bolts with the IFP-BW on plywood roof decks

integrated fixing point **ROOFTRAK™**

Toggle Bolts

Toggle bolt fixings are used where access to the underside of the roof deck is restricted, i.e. where internal finishes are complete and cannot be disturbed.

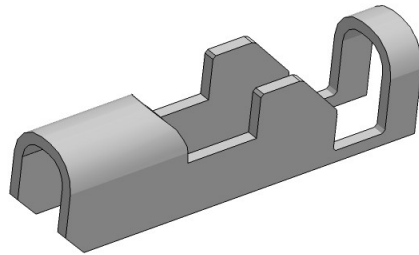
Toggle bolt components

M10 x 100 A2 SS Socket Button Flange bolt



Toggle Sleeve

BZP Toggle sleeve to suit M10 bolt

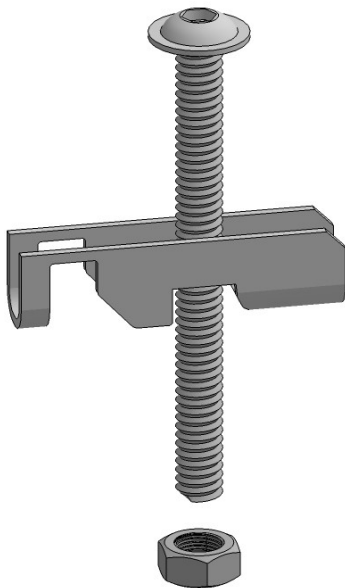


Nut

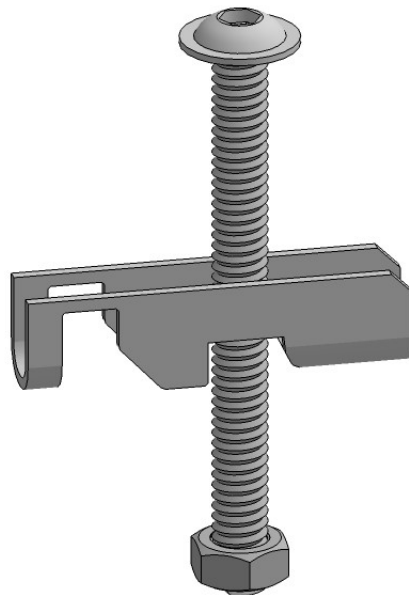
BZP M10 nut



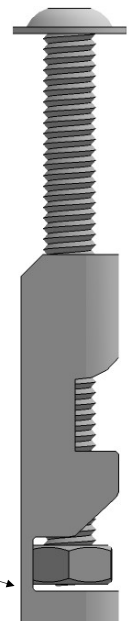
Toggle bolt assembly



Stage 1



Stage 2



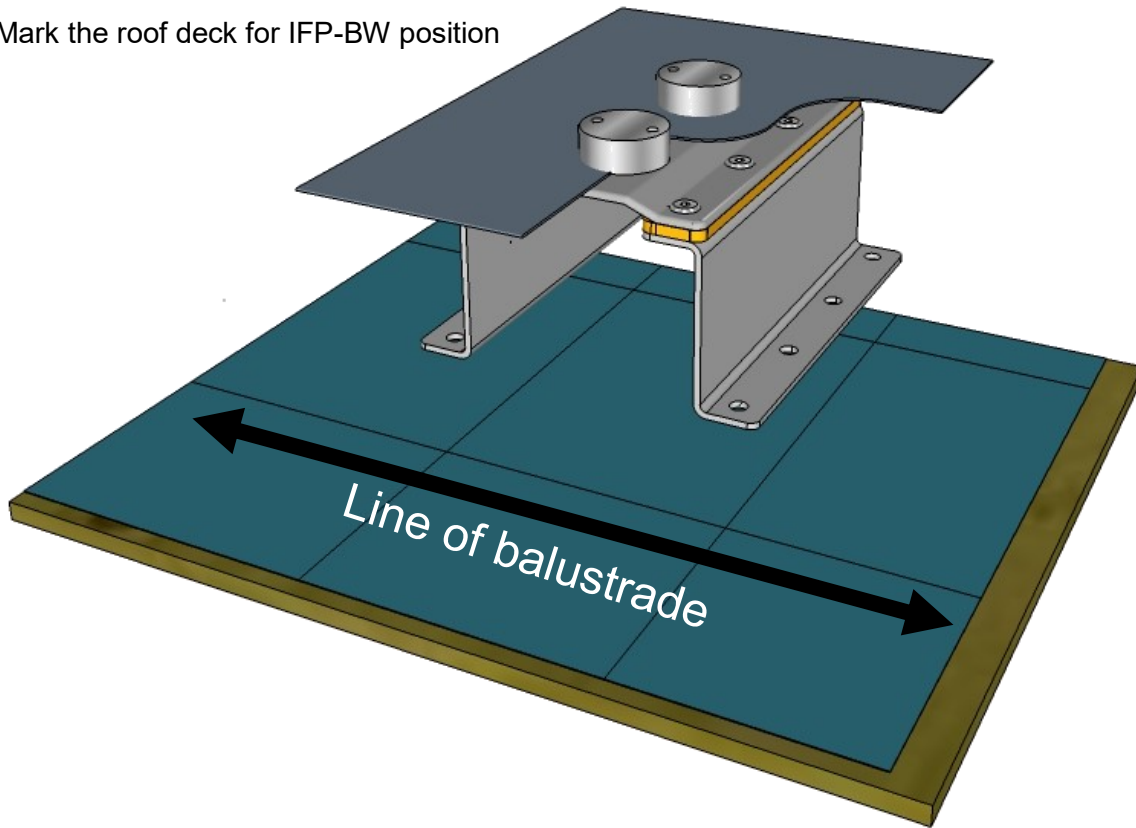
Stage 3

It is important to ensure that the bolt does not extend through the nut at all.

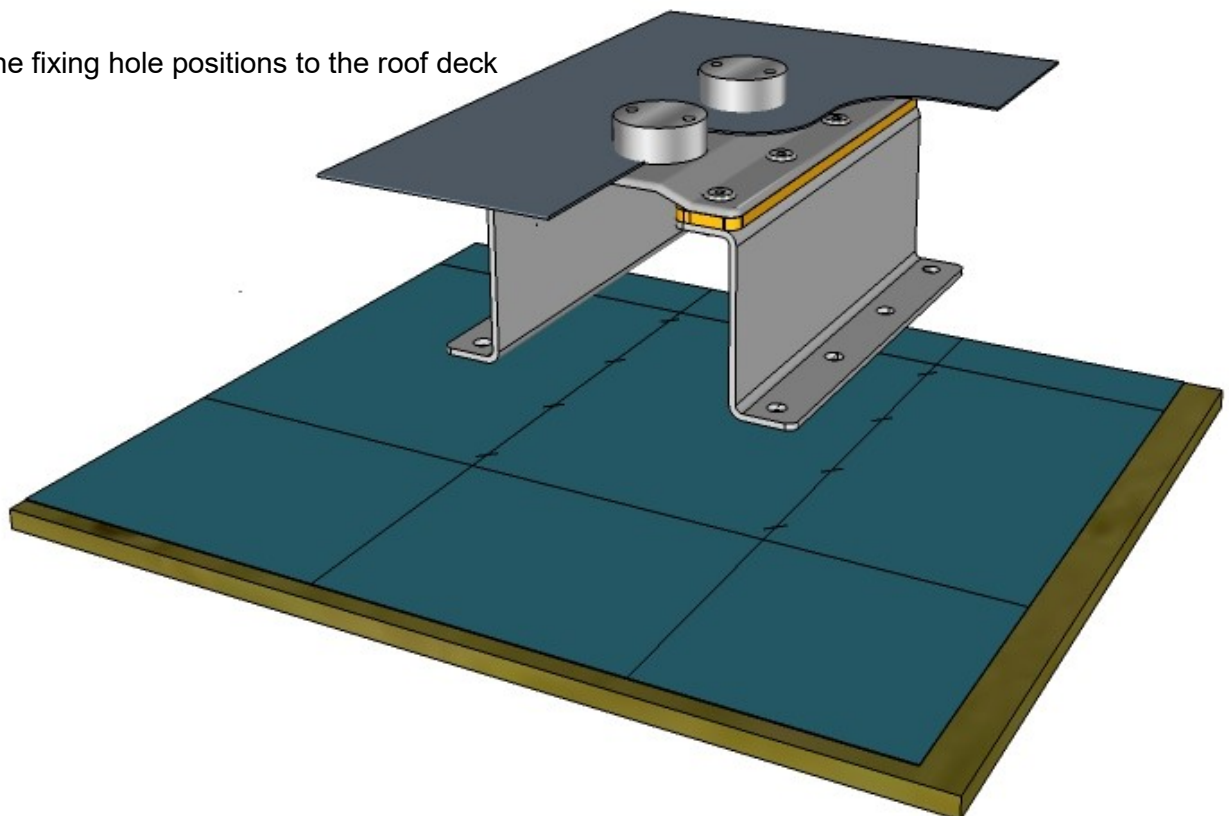
integrated fixing point
ROOFTRAK™

Marking the roof

Mark the roof deck for IFP-BW position



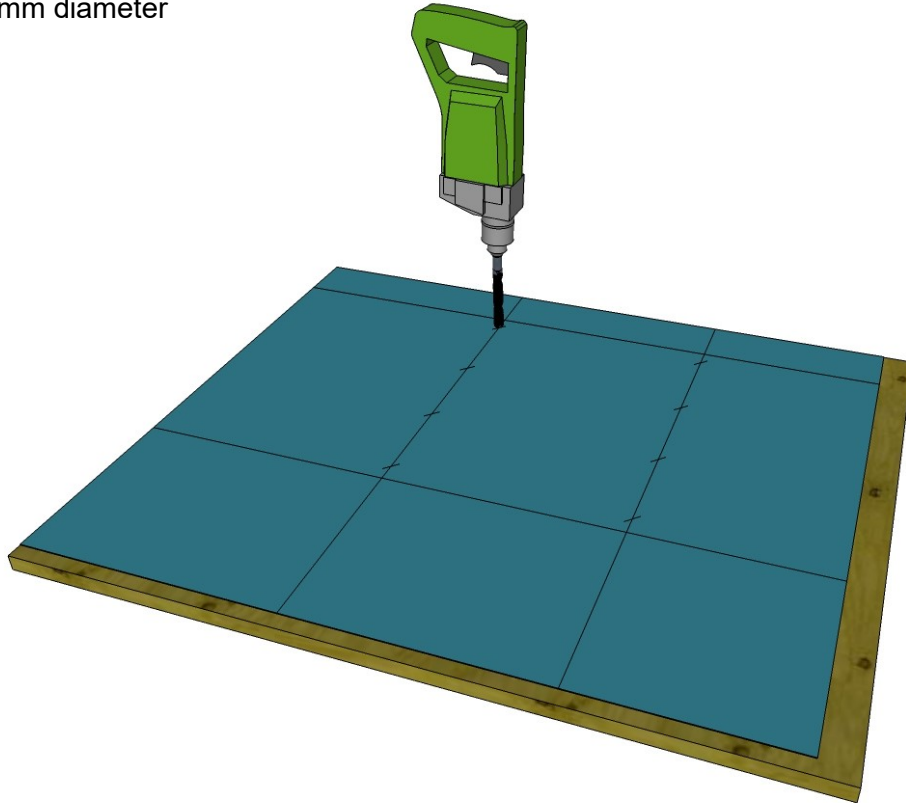
Transfer the fixing hole positions to the roof deck



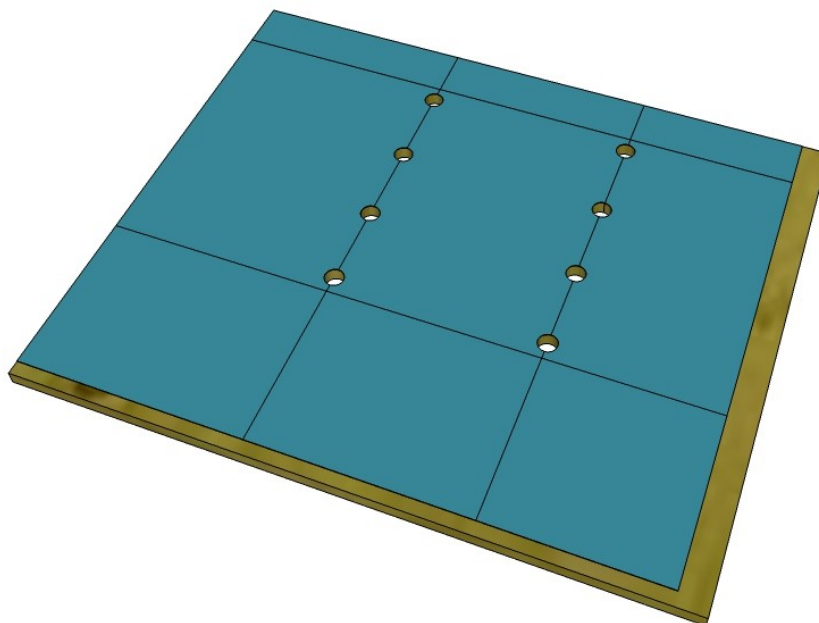
integrated fixing point **ROOFTRAK™**

Drilling the roof deck

Drill through the roof deck in all 8 positions
Holes should be 25mm diameter



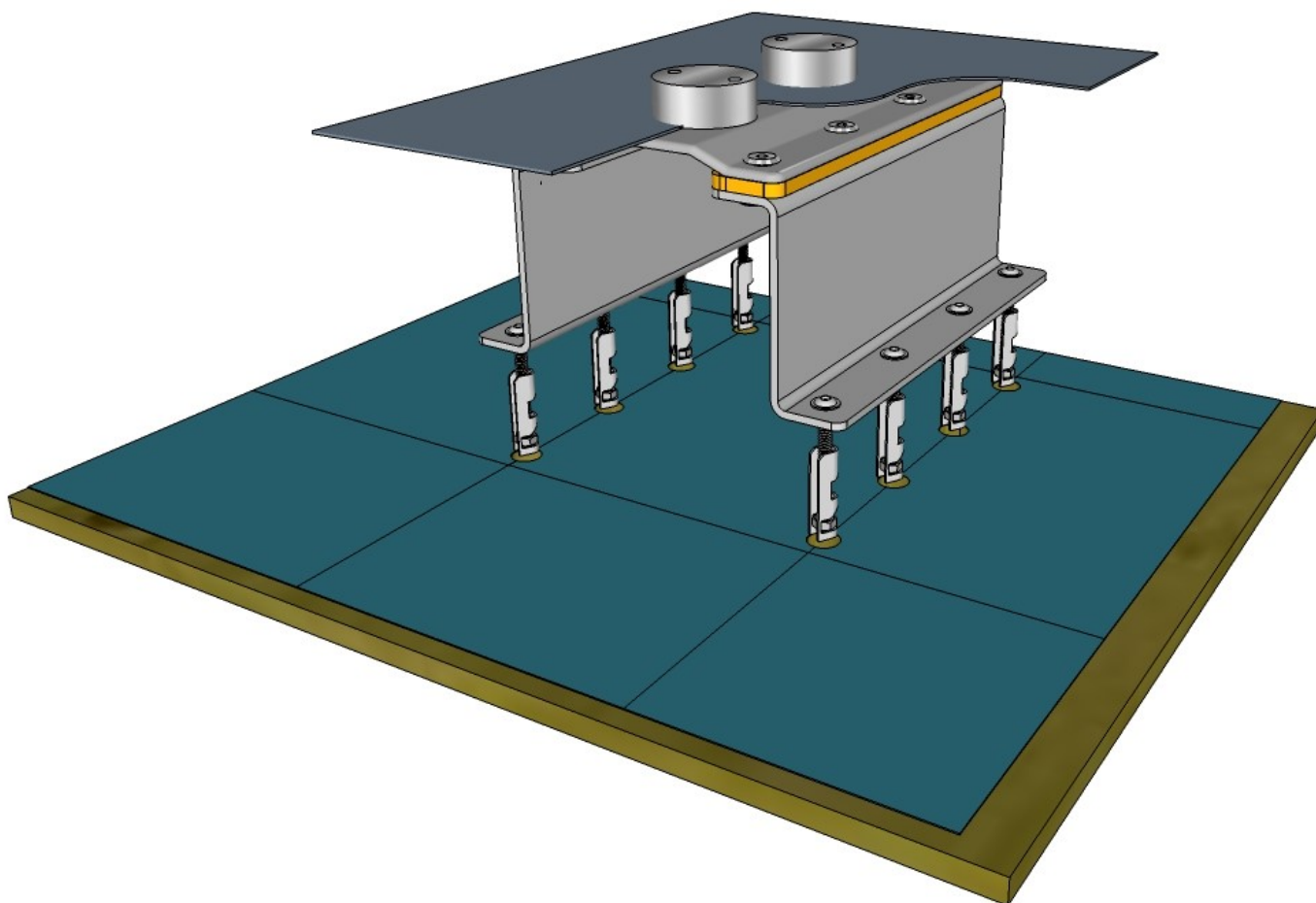
Ensure roof deck is left clean and free of debris after drilling



integrated fixing point ROOFTRAK™

Preparation for final installation.

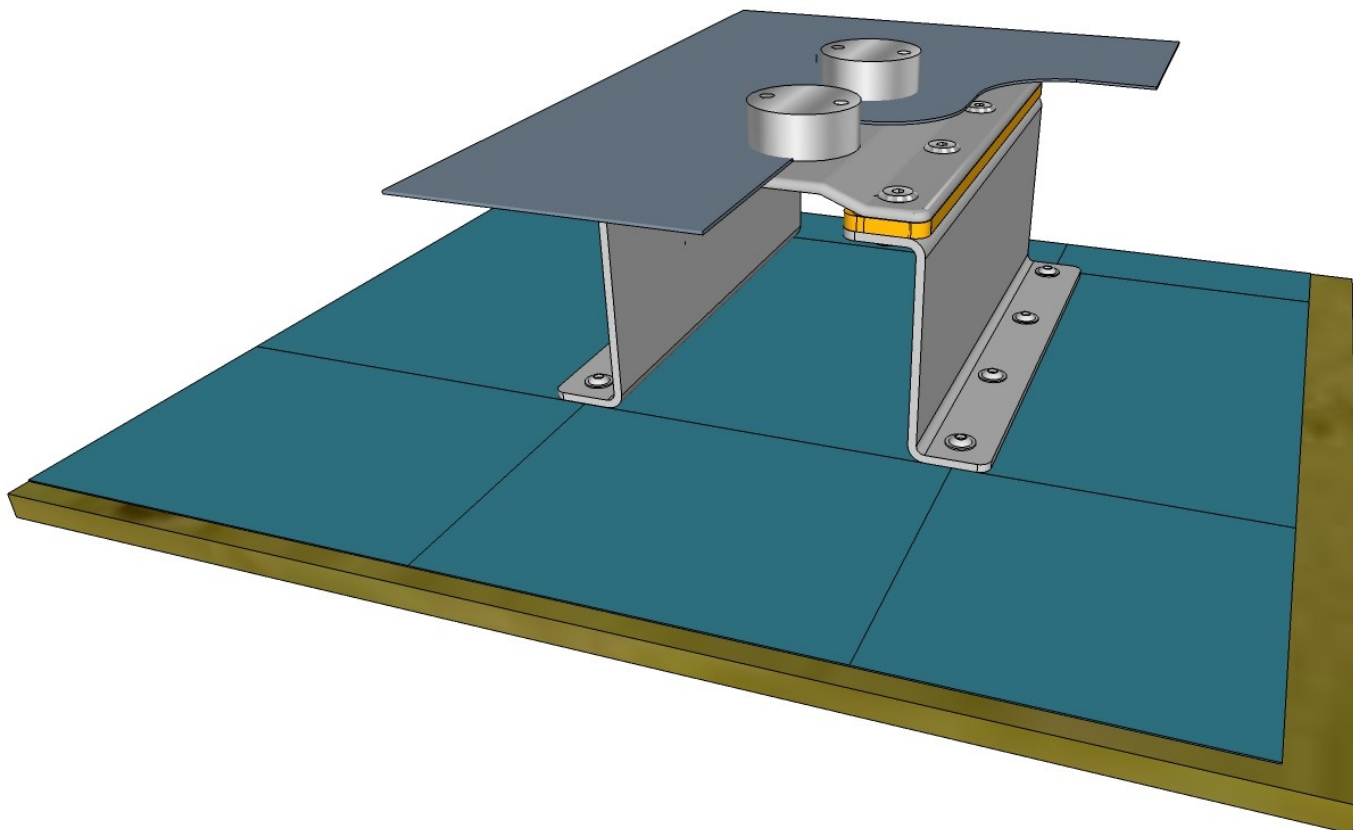
Assemble the toggles, bolts and nuts into the IFP-BW, ensuring that all fixings are hanging in the closed position with the bolt flush with the underside of the nut to ensure no conflict when toggle is actuated - see stage 3 on page 2.



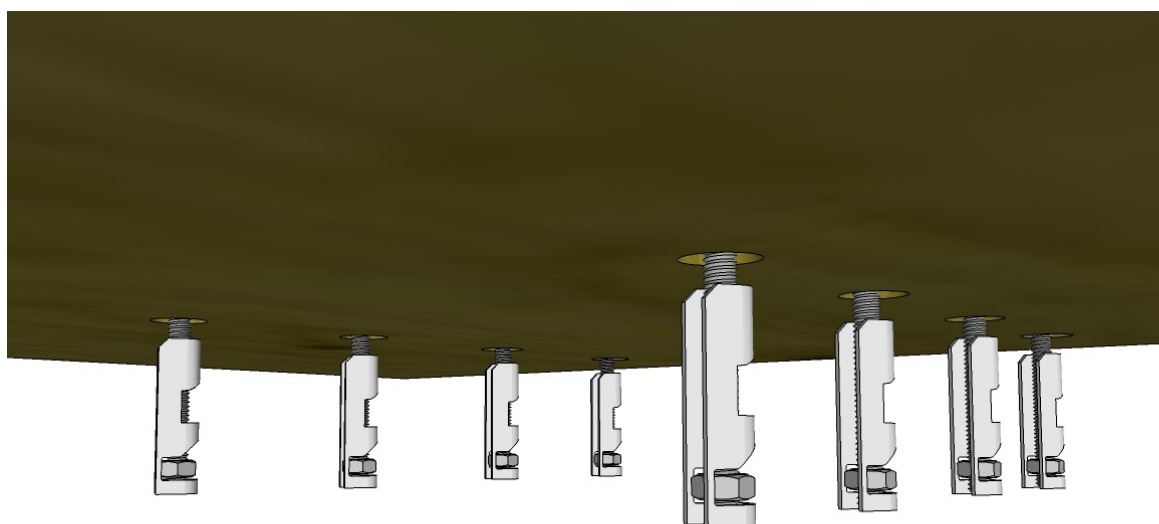
integrated fixing point **ROOFTRAK™**

Final positioning of the IFP-BW

Carefully lower the IFP-BW so that the toggle fixings pass through the roof deck and into the void below.
Sit the IFP-BW onto the roof deck



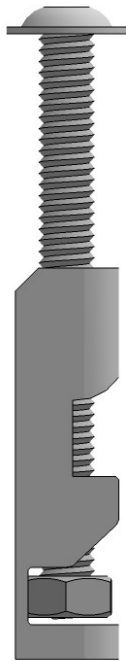
View of the underside of the roof deck



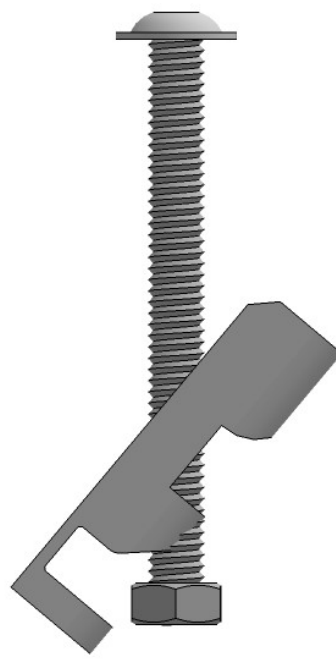
The 4 stages of toggle actuation

Once the bolts are through the roof deck, shake each bolt individually to actuate the toggle. The toggle should very quickly find its final location over the nut.

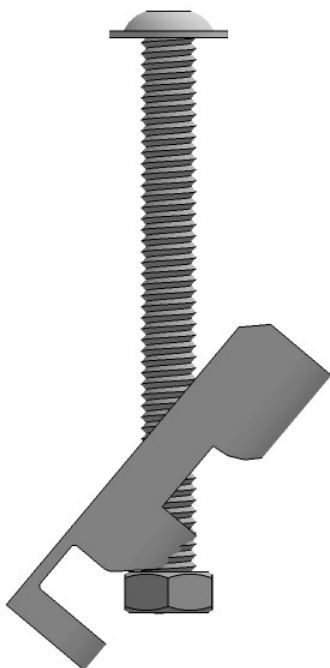
Once the toggle is in its horizontal position, raise the bolt until the toggle is against the underside of the roof deck. Start to turn the bolt clockwise so as to tighten it into the nut, this can be finished using a drill with an 8mm hex driver bit.



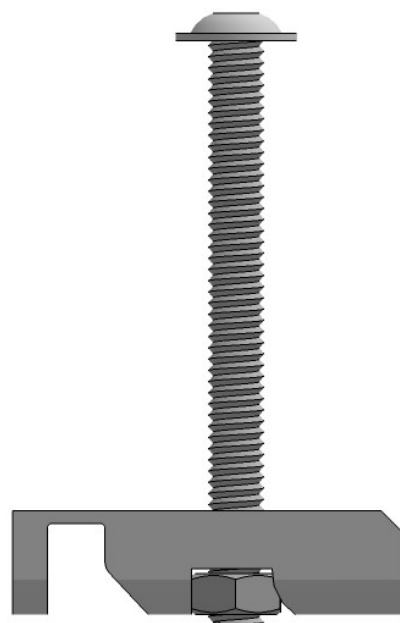
Stage 1



Stage 2



Stage 3



Stage 4

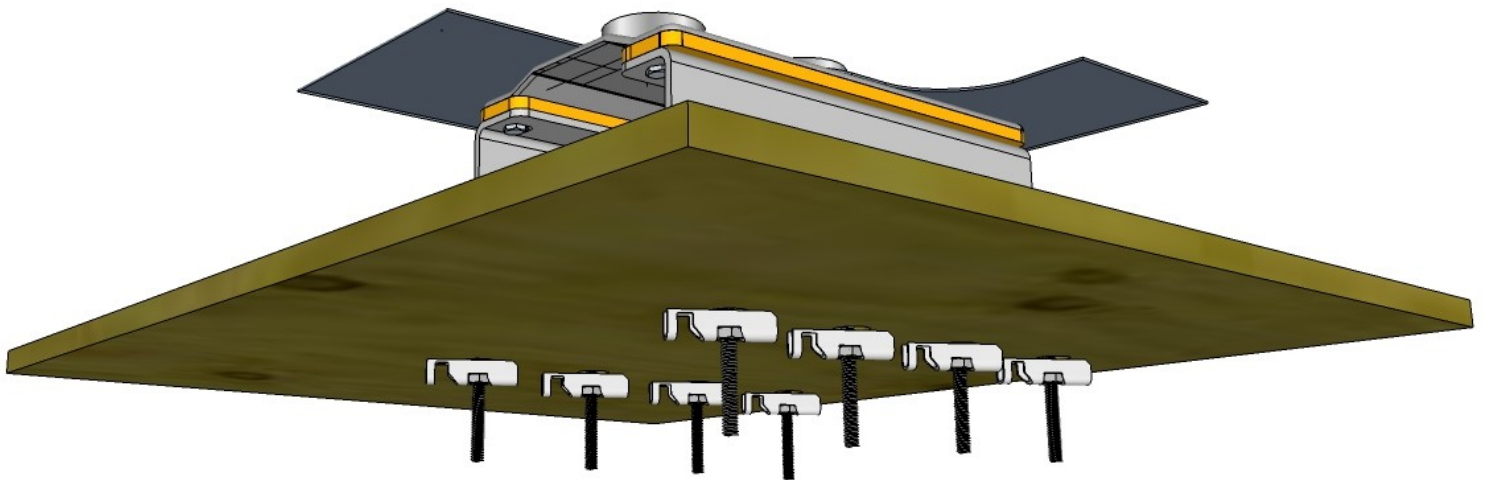
integrated fixing point **ROOFTRAK™**

Final tightening

Once the bolts are through the roof deck, shake each bolt individually to actuate the toggle. The toggle should very quickly find its final location over the nut.

Once the toggle is in its horizontal position, raise the bolt until the toggle is against the underside of the roof deck. Start to turn the bolt clockwise so as to tighten it into the nut, this can be finished using a drill with an 8mm hex driver bit.

Toggles should be tightened to 10Nm.



integrated fixing point ROOFTRAK™

Completion

Once the fixings have been tightened and you are sure that the fixing point is in the correct position, complete the insulation installation, including filling within the body of the IFP-BW itself.

For further instruction on installation of the IFP-BW and weathering the fixing point to the roof deck, please refer to the specific fitting instructions supplied separately.

