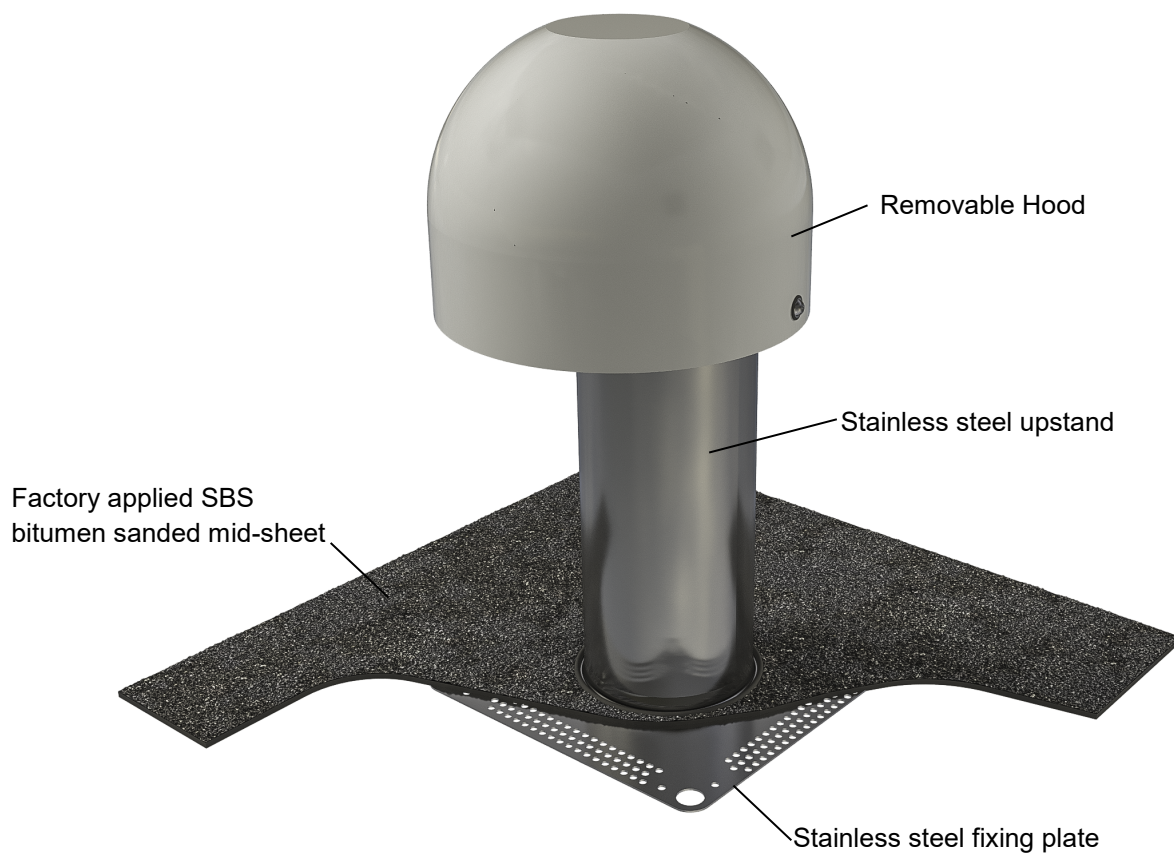


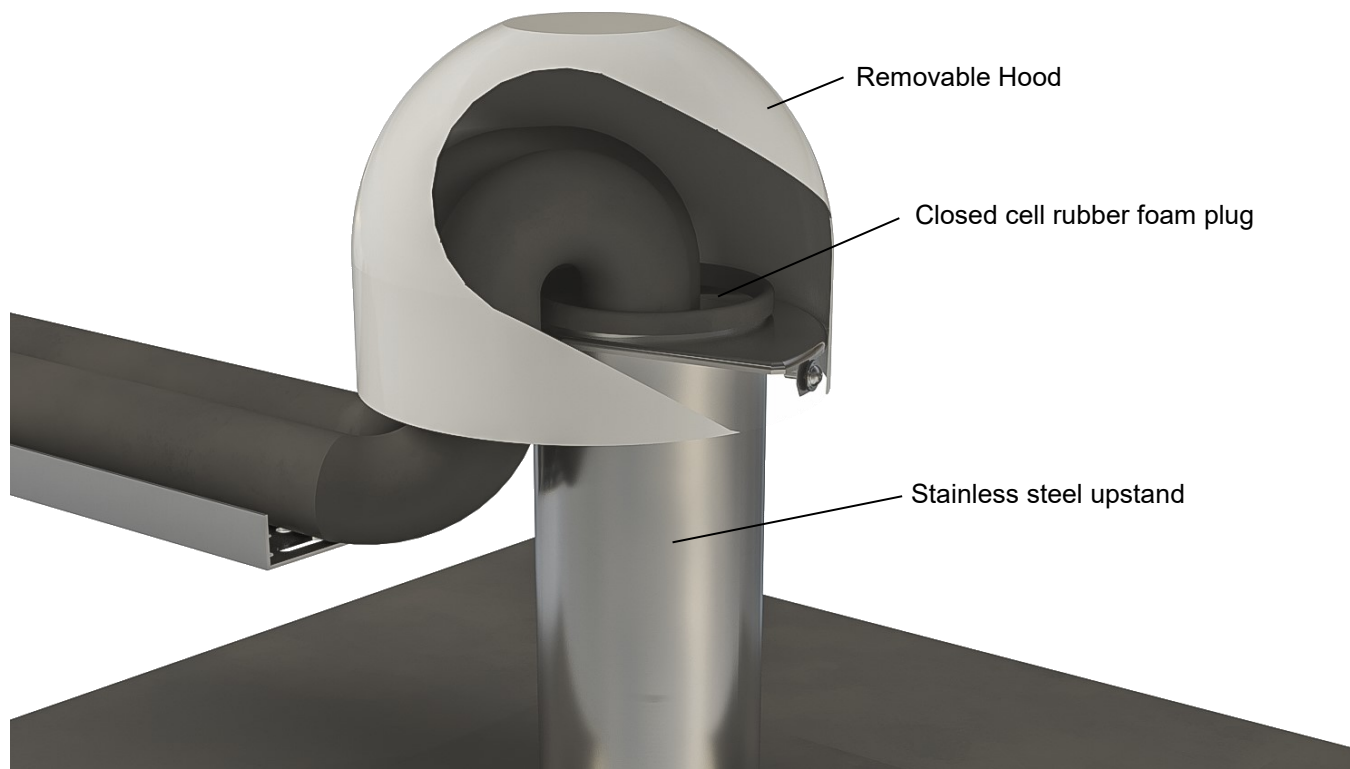
Fitting Instructions for
RP110SBS
Roof Penetration Fitting with
SBS

roof penetration fittings ROOFPORT®



Installation Guidelines—Weathering the unit.

- 1) The RP110SBS has a factory applied SBS torch-on mid-sheet flange and should be used in conjunction with bitumen roof systems. It is the installers responsibility to ensure compatibility with the roof system. The ROOFPORT RP110SBS is best sealed to the mid-sheet layer of a bitumen built up roof system.
- 2) The unit should be positioned on the roof where the service pipes or cables will be located. If possible services are best brought through the roof structure prior to fitting the RP110SBS, but should not be connected to any appliance. The hood of the unit can be removed to help in threading the RP110 over the services.
- 3) Once the RP110 is in place the flange material can be folded back to expose the fixing plate. Suitable fixing should be used to secure the unit to the roof substrate.
Suggested fixings; Cold roof—35-50mm non-ferrous or roofing grade fastener
Warm roof—Thermally broken tube washer with suitable roofing grade fasteners for substrate
- 4) The SBS mid-sheet flange material should be fully heat bonded to the surrounding roofing material using a flame gun or other suitable heating device. Sealing of this flange material should be carried out in accordance with good practice standards and any specific measures as prescribed by the roof membrane manufacturer.
- 5) When the cap sheet of roof system is fitted, it should be overlay and be fully bonded to the mid-sheet flange material. The cap sheet should be cut around the stainless steel upstand closely. Care must be taken to apply a naked flame to the stainless steel upstand and not to heat the upstand pipe during installation.
- 6) If necessary the hood must be replaced and the fixing screws tightened leaving a watertight installation.



Installation Guidelines—Installing services

- 1) The RP110SBS has a removable hood that is secured in place by 4no. screws. To remove the hood, remove the screws and set aside for reuse.
- 2) Whilst the hood is not fitted to the RP110 it is very important to store it safely. The lid is susceptible to damage.
- 3) Do not leave the lid on the roof where it might be blown off the roof by wind.
- 4) Remove the closed cell foam plug at the top of the upstand to enable services to be run through the unit.
- 5) Ensure that the plug is replaced once services have been run. The plug can be cut or drilled to suit the services and should fit tightly to resist the entrance of insects, birds or vermin.
- 6) Services should be gently looped to enable the hood to be refitted without being distorted. If necessary a cable tie should be used to secure the services back to the stainless upstand.
- 7) Refit the hood and secure with the 4no screws provided.

Please note;

Whilst installing services through the RP110 it is important not to apply undue pressure to the unit. The length of the service penetration pipe / cable should be pulled up, or dropped down, through the unit until sufficient length is gained to reach the appliance. Cables or pipework should never be dragged through the unit as this will cause damage to the unit and potentially the waterproofing layer.

Services should be supported to ensure that the RP110 unit is not left under pressure.