



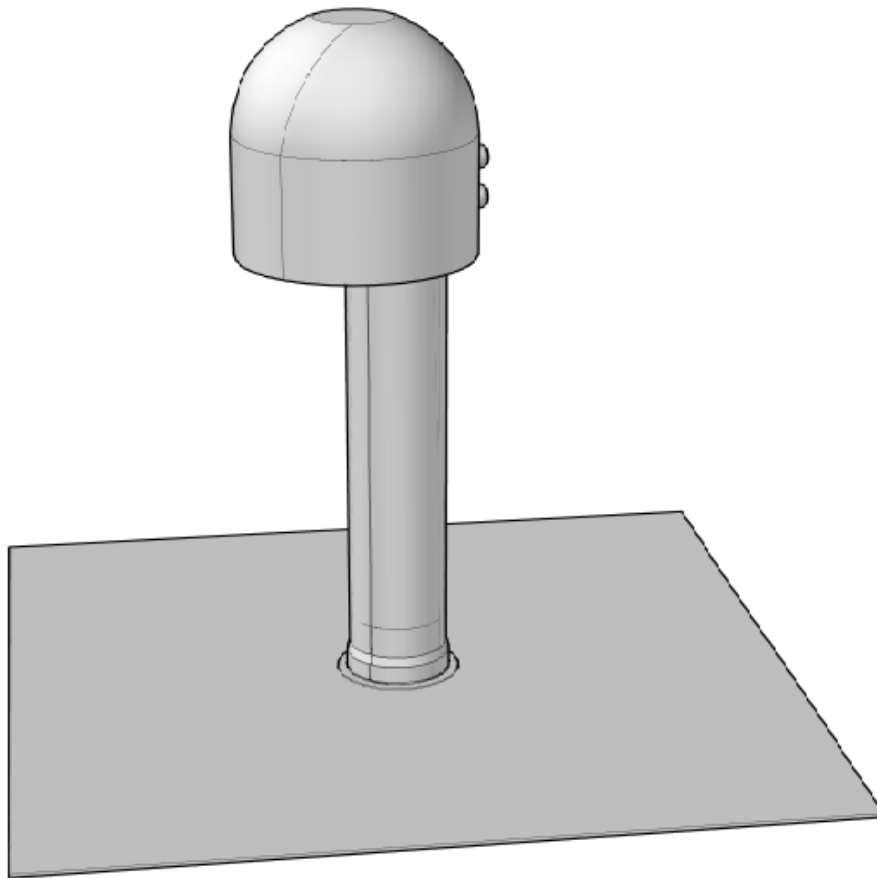
Fitting Instructions for RP50SBS

Roof Penetration Fitting with SBS



Tel 0845 0098 980
Fax 0845 6588 980
Email info@nicholsonsts.com
Web www.nicholsonsts.com

integrated fixing point **ROOFTRAK™**



FITTING INSTRUCTIONS - ROOFER

- 1) The RP50SBS has a factory fitted SBS torch on flange.
- 2) The unit should be fixed to the roof through the fixing plate located under the SBS flange using appropriate fixings.
- 3) Once fixed in position, the torch on membrane should be laid over the base layer and covered completely by the cap sheet of the particular roofing system in use.
- 4) Upon completion, check that the two screws holding the cowl in place are fully tightened.

MECHANICAL SERVICES ENGINEER

- 1) The cowl may be removed for easy access and running of cables etc.
- 2) Ensure that the edge protector to the top of the stainless steel upstand is in place and that the cables will not be damaged.
- 3) After all cables are installed, seal the neck of the upstand using appropriate wadding or gap filling material.
- 4) Re secure the cowl and tighten screws. Ensure that the anti slip washers are located between the fastener and the outside of the cowl.