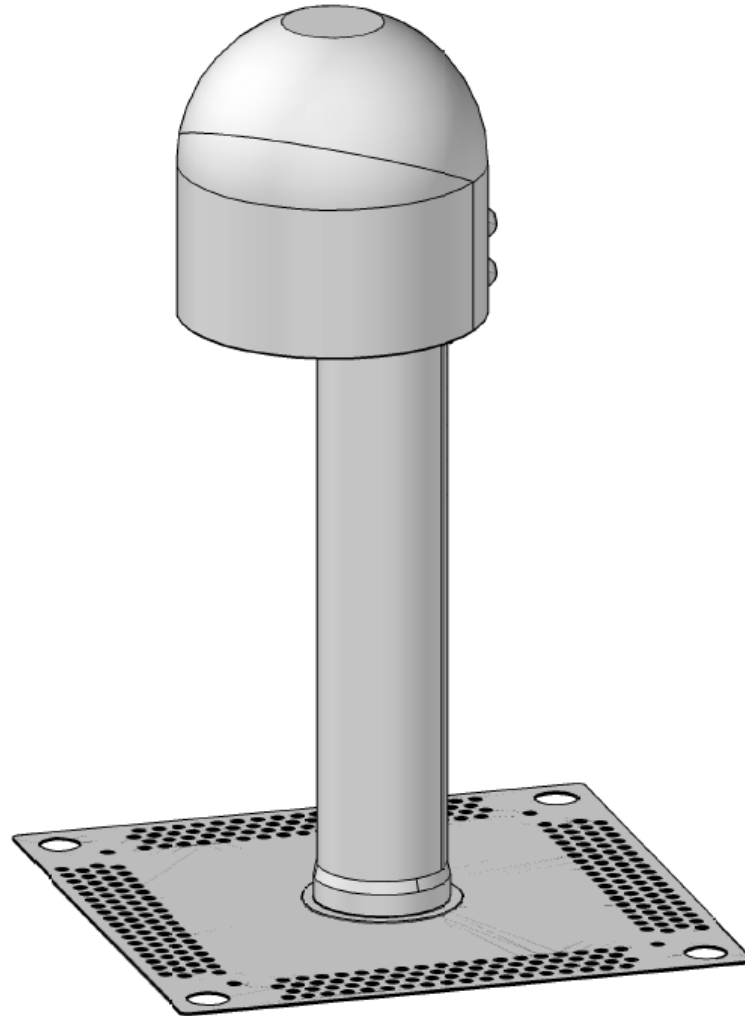


Fitting Instructions for RP50SS

Roof Penetration Fitting with Stainless Steel Flange

roof penetration fittings

ROOFPORT™



FITTING INSTRUCTIONS - ROOFER

- 1) The RP50SS has a factory fitted stainless steel fixing plate.
- 2) The unit should be fixed to the roof through the fixing plate using appropriate fixings.
- 3) Once fixed in position, roofing system being used should be weathered to the plate (in the case of hot poured systems) or the upstand (for single ply and other membrane systems)
- 4) Upon completion, check that the two screws holding the cowl in place are fully tightened.

MECHANICAL SERVICES ENGINEER

- 1) The cowl may be removed for easy access and running of cables etc.
- 2) Ensure that the edge protector to the top of the stainless steel upstand is in place and that the cables will not be damaged.
- 3) After all cables are installed, seal the neck of the upstand using appropriate wadding or gap filling material.
- 4) Re secure the cowl and tighten screws. Ensure that the anti slip washers are located between the fastener and the outside of the cowl.
- 5) Attention should be paid to maintaining the effectiveness of the VCL where any services pass through it.